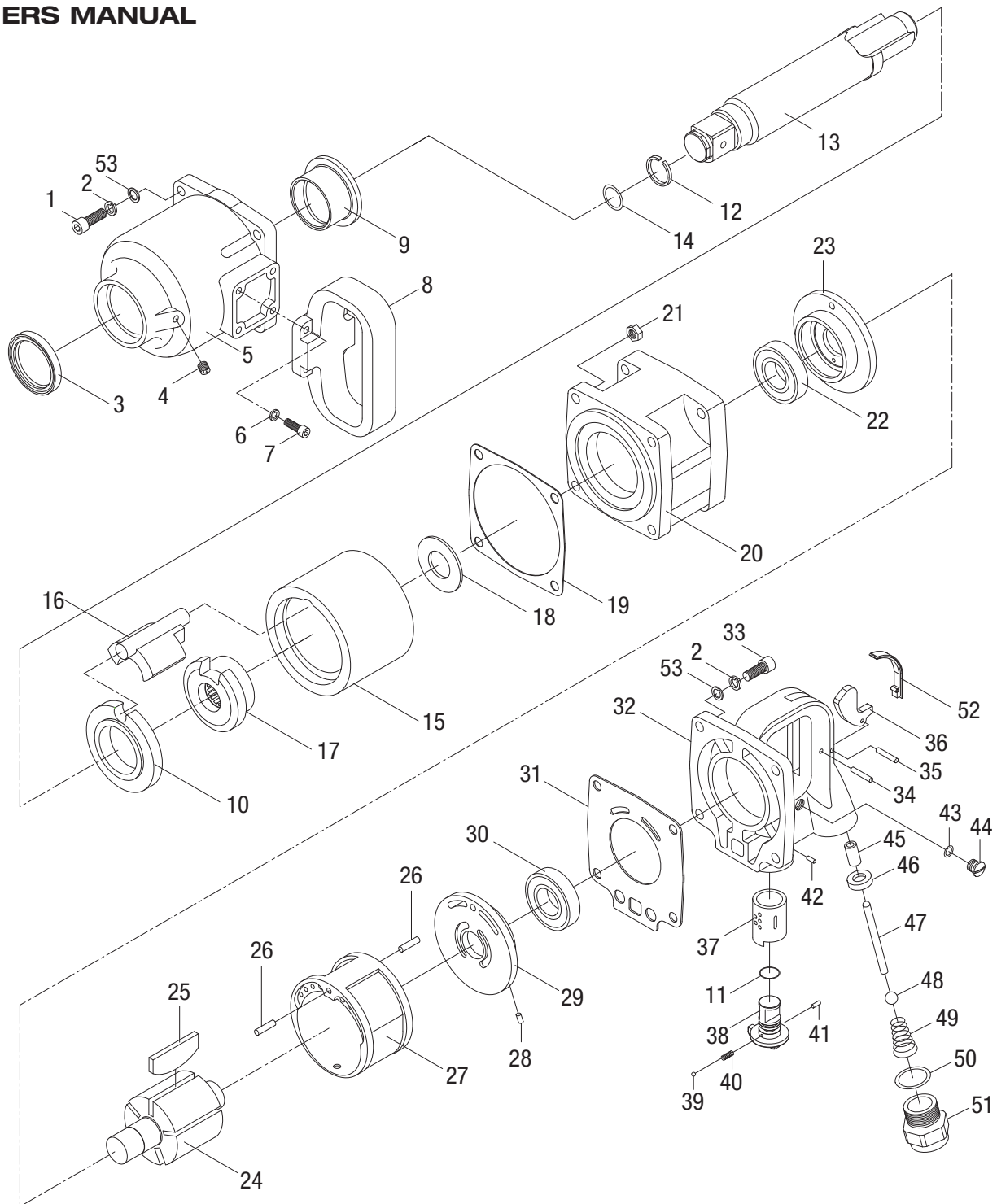




**KTI-81798A**

**1" DRIVE IMPACT WRENCH WITH 6" EXTENDED ANVIL**

**OWNERS MANUAL**





**KTI-81798A**

**1" DRIVE IMPACT WRENCH WITH 6" EXTENDED ANVIL**

**OWNERS MANUAL**

REF. NO.	PART NO.	DESCRIPTION	QTY.
1	KTP81798A01	Screw (M8x35)	4
2	KTP81798A02	Lock Washer (8)	8
3		Oil Seal (Incl. w/ #5)	1
4	KTP81798A04	Hex Socket Head Set Screw (M8x6)	1
5	KTP81798A05	Front Casing Assy. (Incl. #3, 5, 9)	1
6	KTP81798A06	Lock Washer (6)	4
7	KTP81798A07	Hex Socket Cap Screw (M6x20)	4
8	KTP81798A08	Side Handle	1
9		Anvil Bushing (Incl. w/ #5)	1
10	KTP81798A10	Front Washer	1
11	KTP81798A11	O-Ring	1
12	KTP81798A12	Retainer Ring (included w/#13)	1
13	KTP81798A13	Extended 6" Anvil (Incl. #12-14)	1
14	KTP81798A14	O-Ring (included w/#13)	1
15	KTP81798A15	Hammer Cage	1
16	KTP81798A16	Hammer	1
17	KTP81798A17	Hammer Cam	1
18	KTP81798A18	Spacer	1
19	KTP81798A19	Front Cylinder Gasket	1
20	KTP81798A20	Motor Housing Assy. (Incl. #20, 22, 23, 26, 27)	1
21	KTP81798A21	All-Metal Locking Nut (M8)	4
22		Bearing (Incl. w/ #20)	1
23		Front Plate (Incl. w/ #20)	1
24	KTP81798A24	Rotor	1
25	KTP81798A25	Rotor Blade (pack of 5)	1
26		Spring-type Straight Pin (Incl. w/ #20)	2
27		Cylinder (Incl. w/ #20)	1

REF. NO.	PART NO.	DESCRIPTION	QTY.
28	KTP81798A28	Spring-type Straight Pin	1
29	KTP81798A29	Rear Plate	1
30	KTP81798A30	Bearing	1
31	KTP81798A31	Rear Cylinder Gasket	1
32	KTP81798A32	Rear Casing Assy. (Incl. #32, 37, 45, 46)	1
33	KTP81798A33	Hex Socket Cap Screw	4
34	KTP81798A34	Spring-type Straight Pin (4 x 22)	1
35	KTP81798A35	Spring-type Straight Pin (4 x 24)	1
36	KTP81798A36	Trigger	1
37		Reverse Valve Bushing (Incl. w/ #32)	1
38	KTP81798A38	Reverse Valve Assembly (Incl. #38-41)	1
39		Steel Ball (Incl. w/ #38)	1
40		Spring (Incl. w/ #38)	1
41		Spring-type Straight Pin (Incl. w/ #38)	1
42	KTP81798A42	Spring-type Straight Pin (4 x 28)	1
43	KTP81798A43	O-Ring	1
44	KTP81798A44	Screw	1
45		Throttle Valve Bushing (Incl. w/ #32)	1
46		Rubber Seal (Incl. w/ #32)	1
47	KTP81798A47	Throttle Valve Plunger	1
48	KTP81798A48	Steel Ball (12.7mm)	1
49	KTP81798A49	Spring	1
50	KTP81798A50	O-Ring	1
51	KTP81798A51	Air Inlet Connector	1
52	KTP81798A52	Rubber Shield	1
53	KTP81798A53	Flat Washer (8)	8

Also available:

KTP81798ATK Tune-Up Kit (Incl. #3, 11, 12, 14, 19, 25 (5), 31, 43, 46, 50)

Not Shown – KTP81798APLK – Product Label Kit